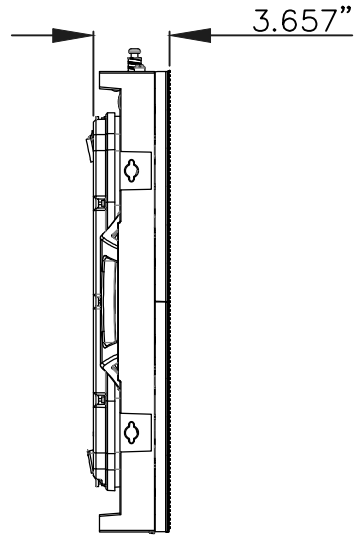
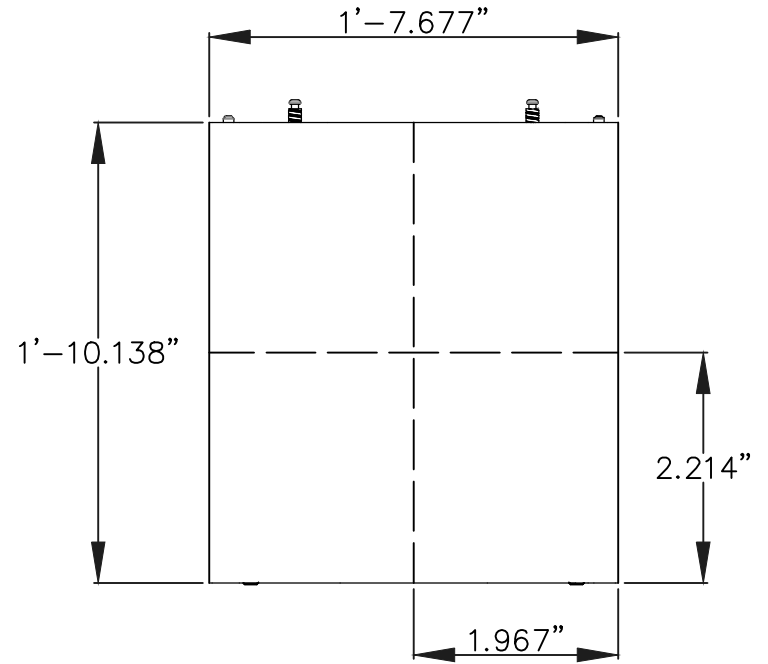


Rear View



4 - M10 x 1.25mm
Rear Mounting



Front View

Absen
LED

7703 KINGSPORTE PARKWAY
SUITE 600
ORLANDO, FL 32819
OFFICE: 407.203.8870

X5 Panel
1.64' x 1.85' x 3.78" (500mm x 562.5mm x 96mm)

NOT APPROVED
FOR
CONSTRUCTION

REV	DATE	DESCRIPTION

PROJECT NUMBER: V20151211
DATE: 11/11/2015
DRAWN BY: HL

SHEET NAME: X5 Panel Layout
SHEET NUMBER: L01