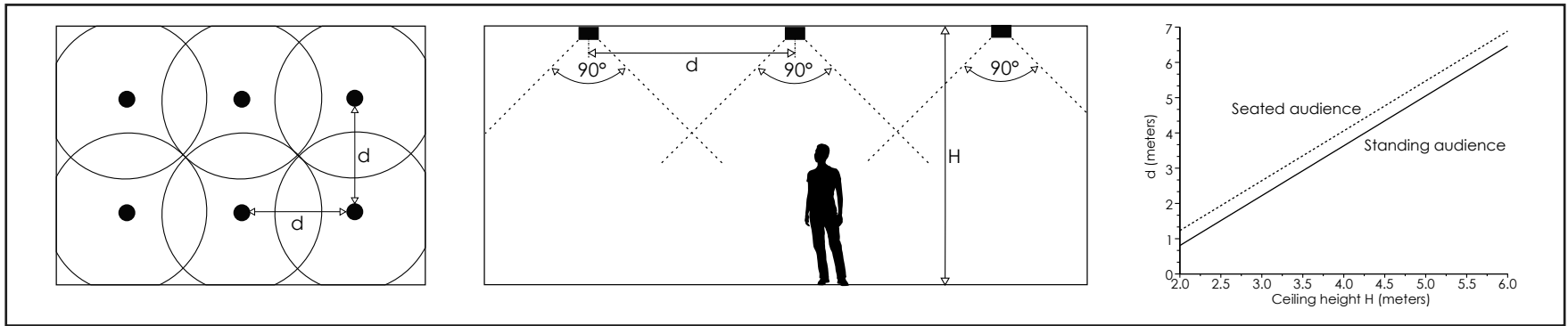
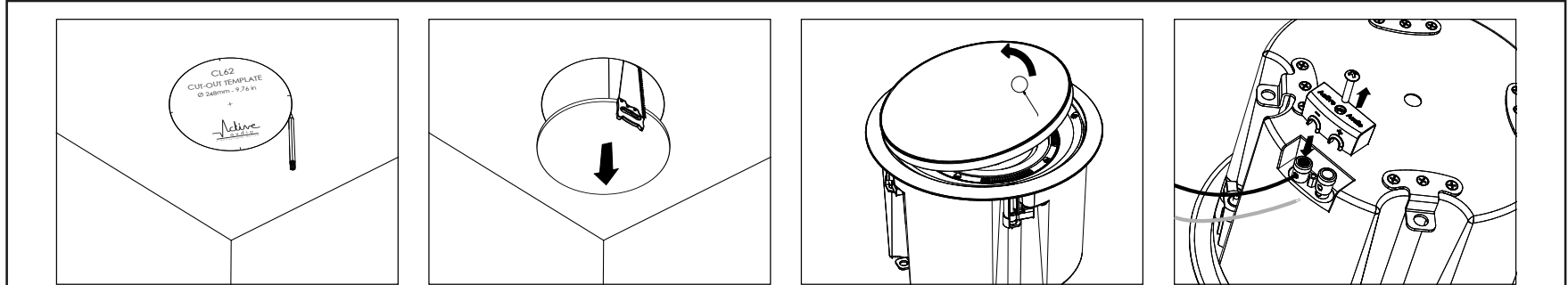


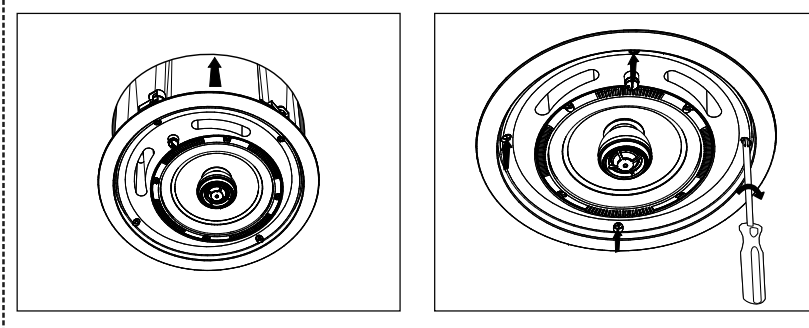
Positioning speakers



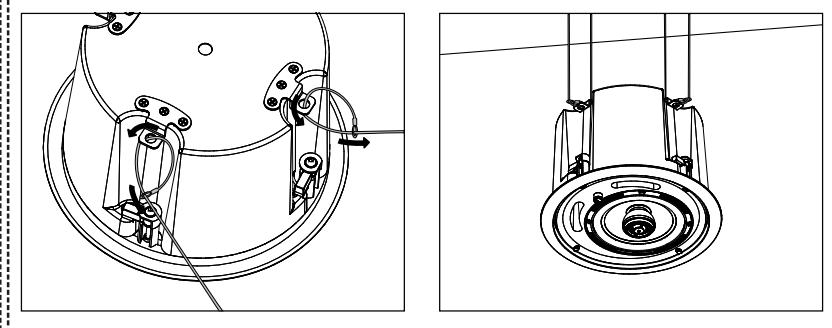
Installation



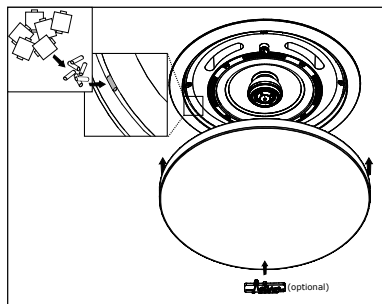
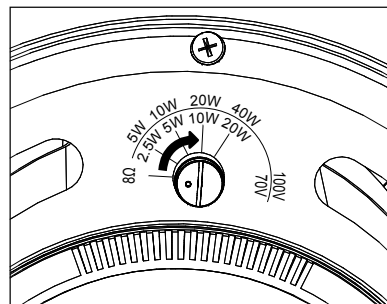
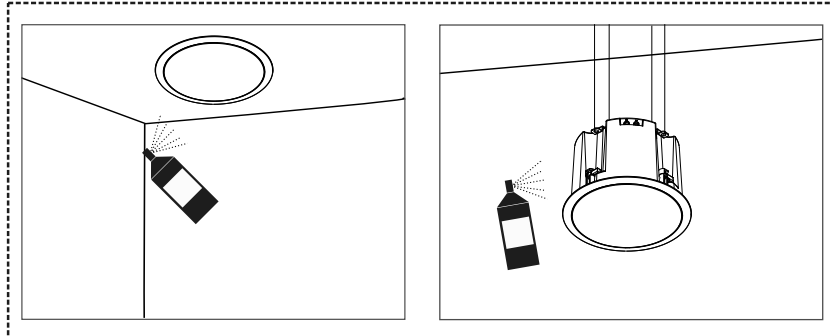
In-ceiling mounting



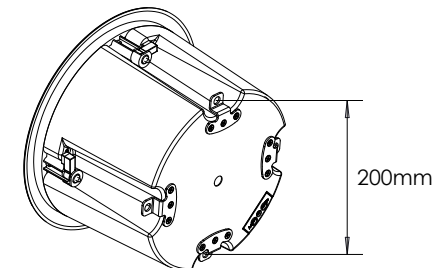
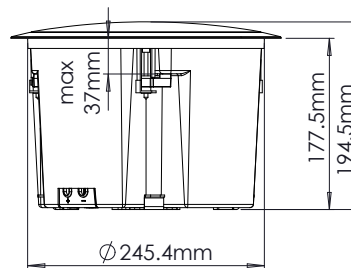
Suspended mounting



Painting

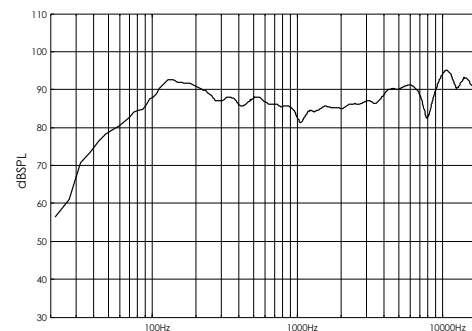


Wiring recommendations (mm <sup>2</sup> )	100W	200W	300W	400W	500W
50m	0.75	0.75	0.75	0.75	0.75
100m	0.75	0.75	0.75	1.5	1.5
200m	0.75	1.5	1.5	2	2.5
400m	1.5	2	4	4	
600m	1.5	4	6		

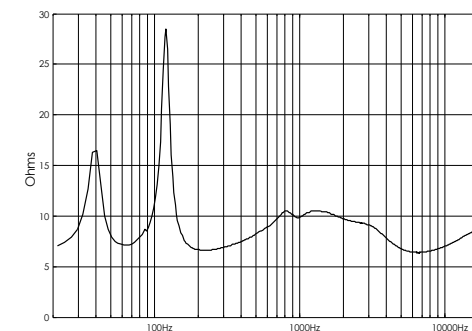


### Technical Data

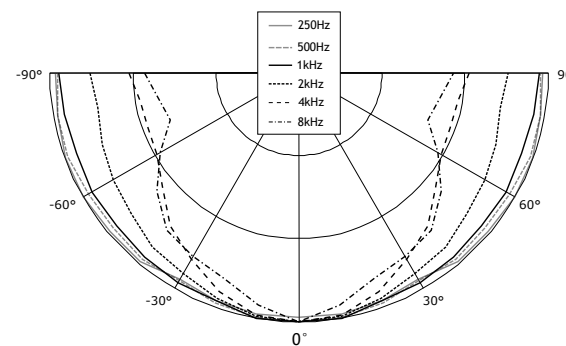
Continuous Power RMS	40W
Power taps 70V/100V	5W 10W 20W / 10W 20W 40W
Peak power	120W
Sensitivity dB @1W/1M	89dB
Frequency response (-3dB / -10dB)	85Hz - 20kHz / 50Hz - 20kHz
Nominal impedance	8 ohm
Coverage angle 1kHz / 4kHz	180° / 80°
Directivity index (DI) 1kHz / 4kHz	1.3 / 4.9
Woofer driver	165mm (6.5 in), fiber glass dome, rubber surround
Tweeter driver	25mm (1 in), kapton dome. Coaxial and orientable
Crossover	3.5kHz 2nd order
Tap Selector	5-position rotary switch
Input	Push spring terminals
Visible diameter	280mm (11.02 in)
Hole cutout diameter	248mm (9.76 in)
Min / Max ceiling thickness	9mm (0.36 in) / 37 mm (1.45 in)
Backcan Height	177.5mm (6.99 in)
Weight	2.9kg (6.4 lbs)
Color	White
Included accessories	Cut-out template, Tool for grille removal, adhesive logo, adhesive pads for security grille



Frequency response on axis 1W/1m



Impedance



Included



#### DECLARATION OF CONFORMITY

We, Active Audio Sarl, 332 Boulevard Marcel Paul 44800 St Herblain, France, acknowledge our sole responsibility, that the product CL62 In accordance with EMC directive 2004/1028/CE is in compliance with the following norms or documents: EN50081-1, EN61000, EN 60065 Established on 17 october 2012 by Régis CAZIN, Managing Director